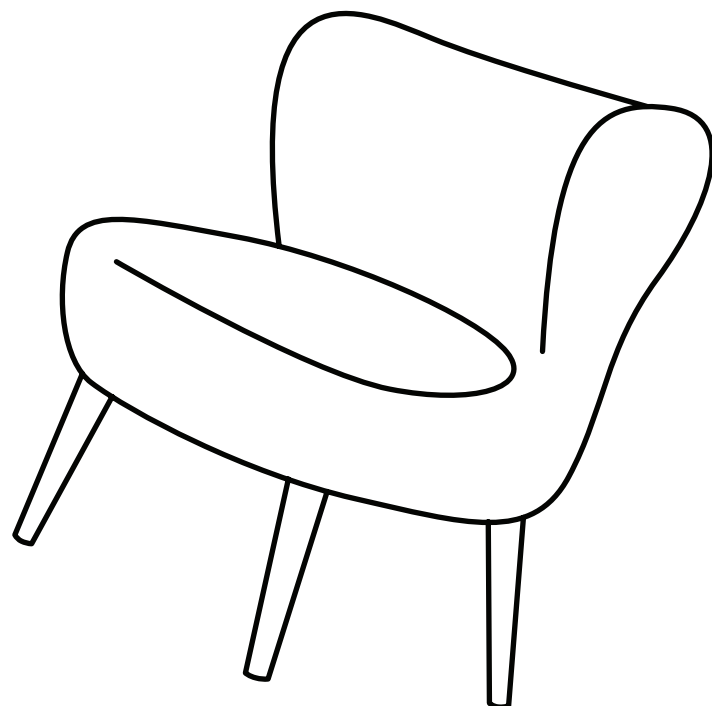
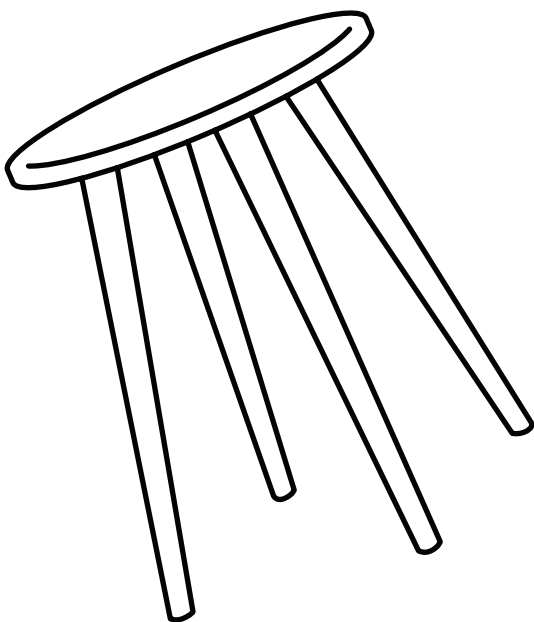


Hello,
I've arrived!

Now that I'm here you are only one
flat-pack away from transforming
your home.



Mocka.

Thank you for supporting us.

We believe design belongs to everyone. From materials and processes to safety testing, production and delivery, we are passionate and committed to bringing you the best possible product so you can create beautifully functional spaces to feel comfortably you.

Here are a few assembly tips before you get started:



Make Time

The first step to all seamless assembly is taking a moment to carefully read through the instructions—you are already on your way to creating a beautifully functional space!



Set The Mood

Put on your favourite playlist, order that pizza and pour yourself a drink to get in the mood!



Tool Check

Layout the instructions, screws and panels to check you have everything you need. A blanket or soft floor rug will help protect your new favourite item from scratches and a drill will speed up the assembly too!



Room Reveal

You did it! Take a step back and enjoy the moment. Don't forget to recycle any packaging and share a pic of your room reveal—we love seeing how you transform your home! Tag us @mockaaustralia/@mockaanz

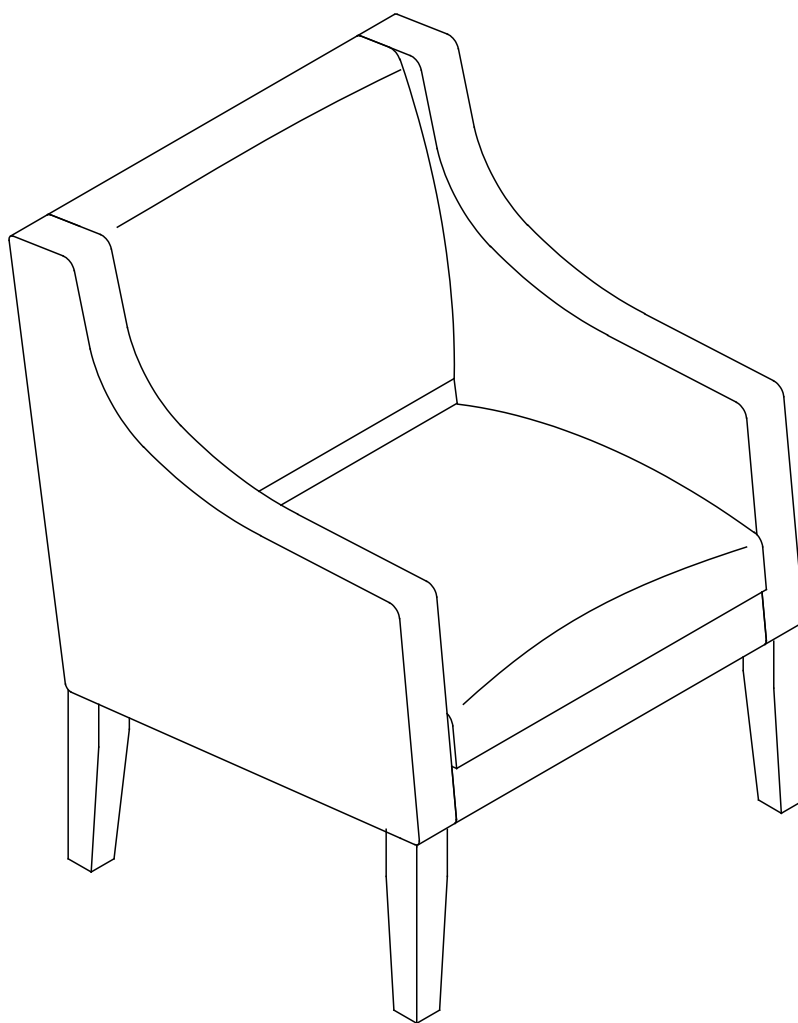
Happy flat-packing!

The Mocka Team

Hamptons

Occasional Chair

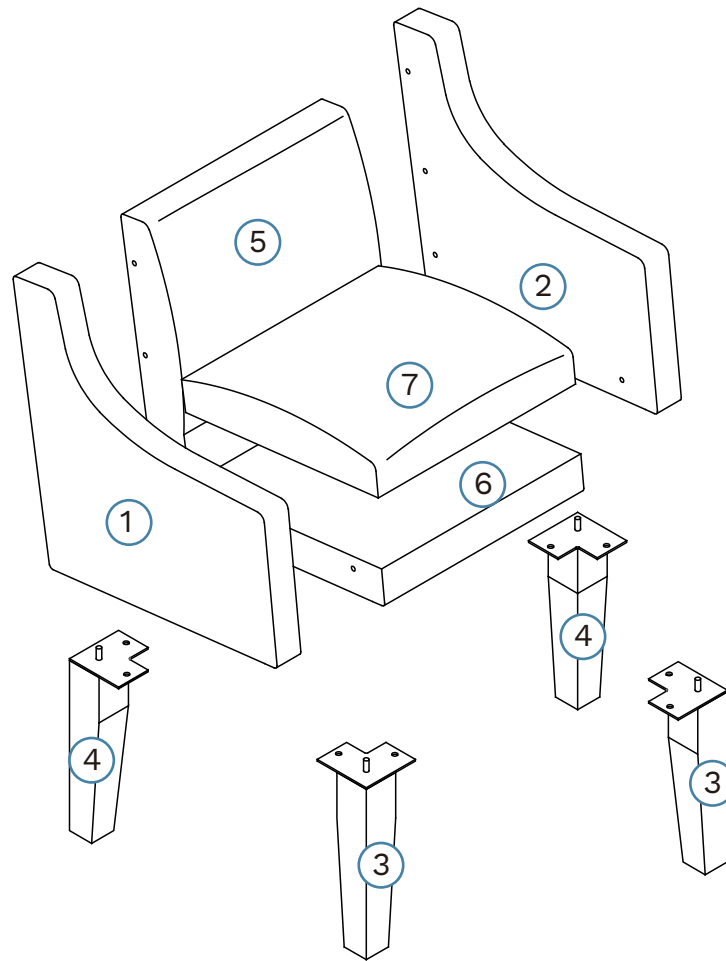
Thank you for your purchase. Please follow the instructions for correct assembly. While we took great effort to ensure these assembly instructions were correct at the time of printing, sometimes updates are required post production. For the most up to date versions please refer to the product page on our website. mocka.com.au/mocka.co.nz



Hamptons

Occasional Chair

Panel Layout

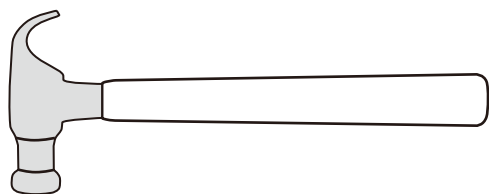
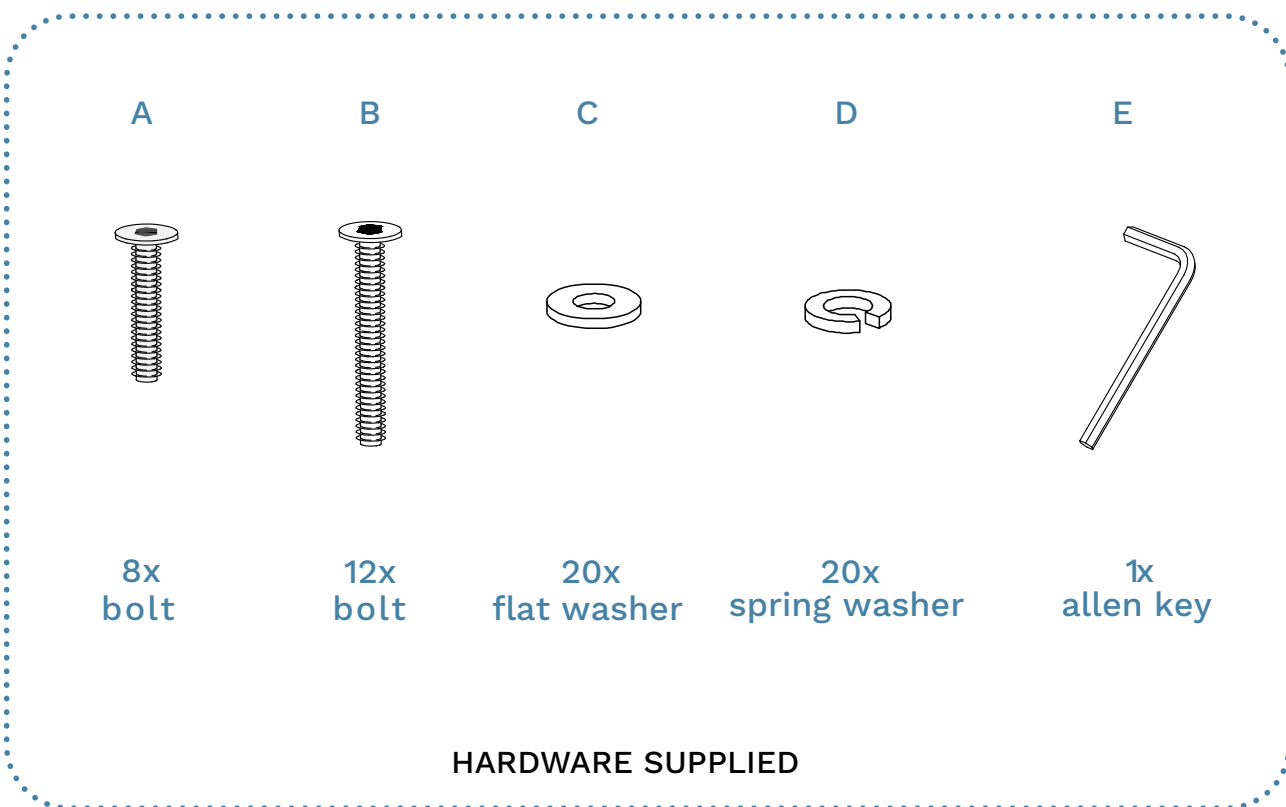


Partlist

①	Left Armrest	x1
②	Right Armrest	x1
③	Front Leg	x2
④	Back Leg	x2
⑤	Back Cushion	x1
⑥	Seat Panel	x1
⑦	Seat Cushion	x1

Hamptons

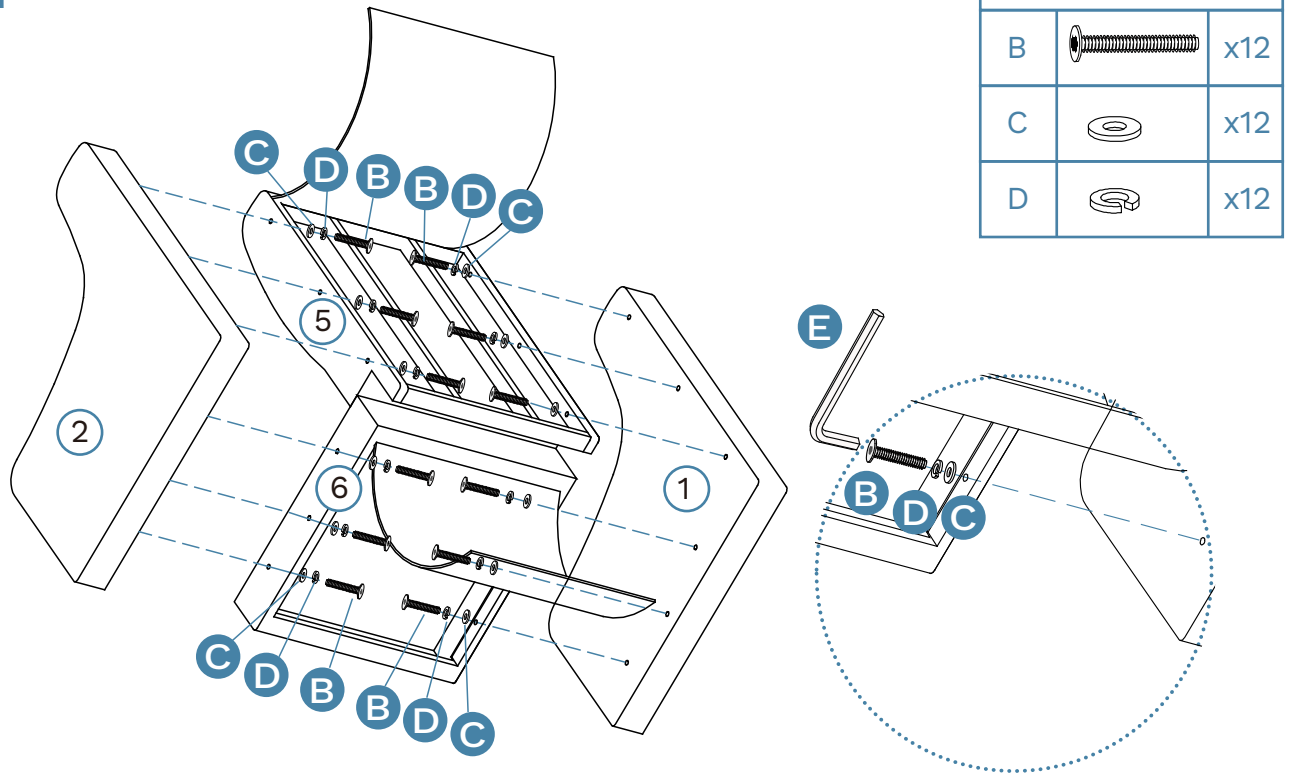
Occasional Chair






Hammer required.

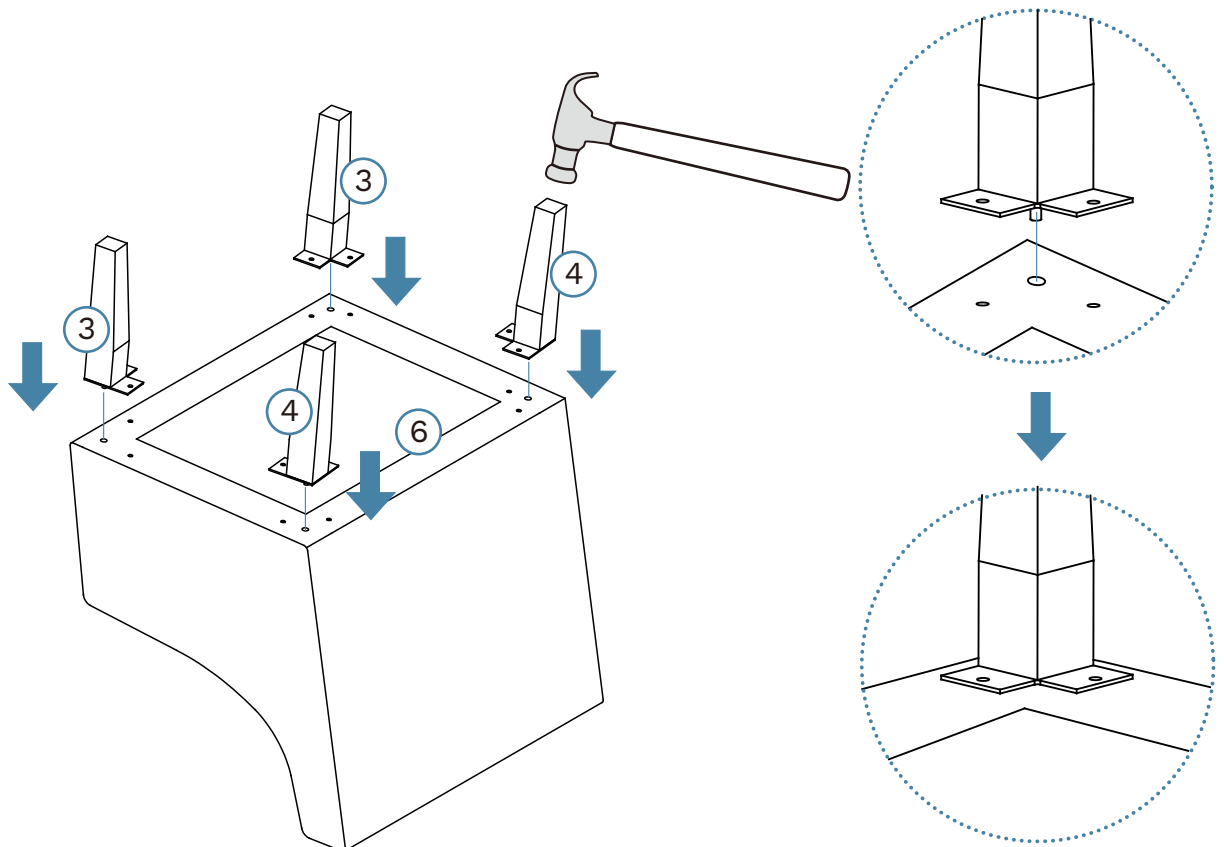
Hamptons Occasional Chair

1



Hardware Needed		
B		x12
C		x12
D		x12

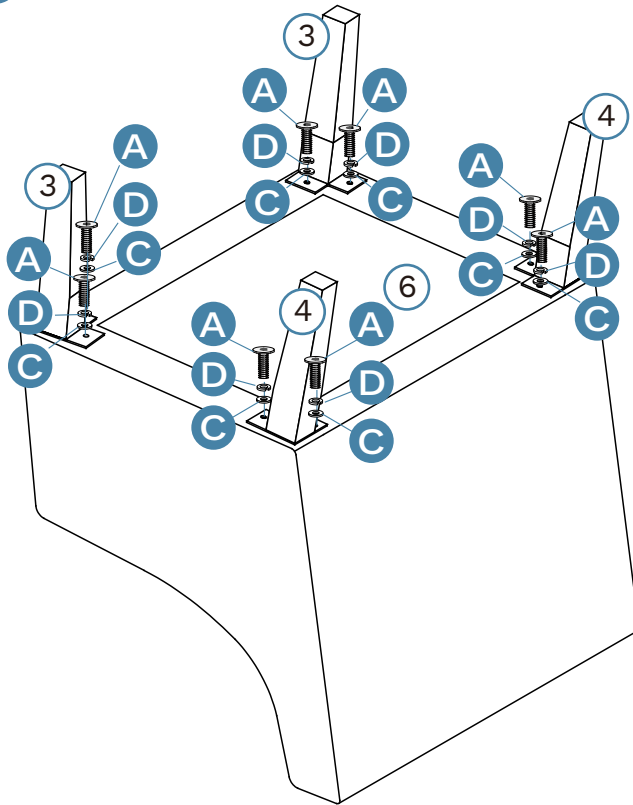
2






Tap the Leg gently into the corresponding hole with the hammer, as shown.

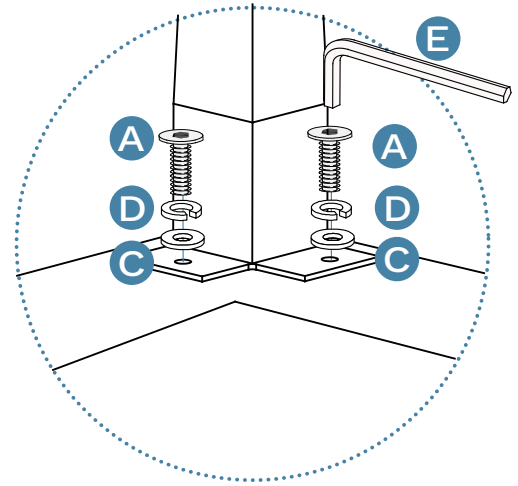
Hamptons Occasional Chair

3

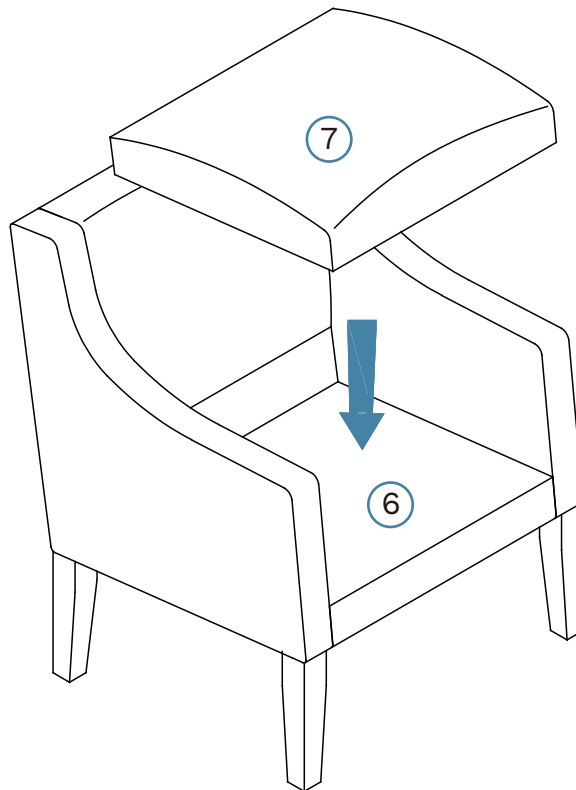


Hardware Needed

A		x8
C		x8
D		x8



4



You're done, enjoy!